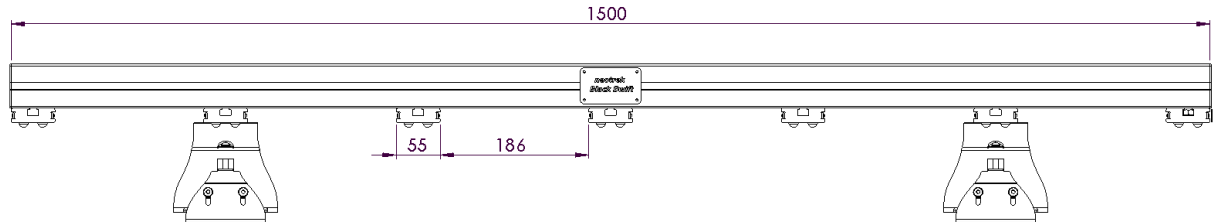


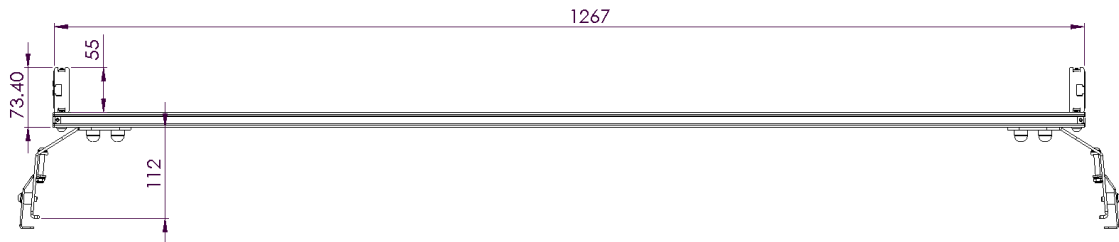
# Black Swift Fact Sheet

## Dimensions

Side View:



Front / Rear View:



## Configurations

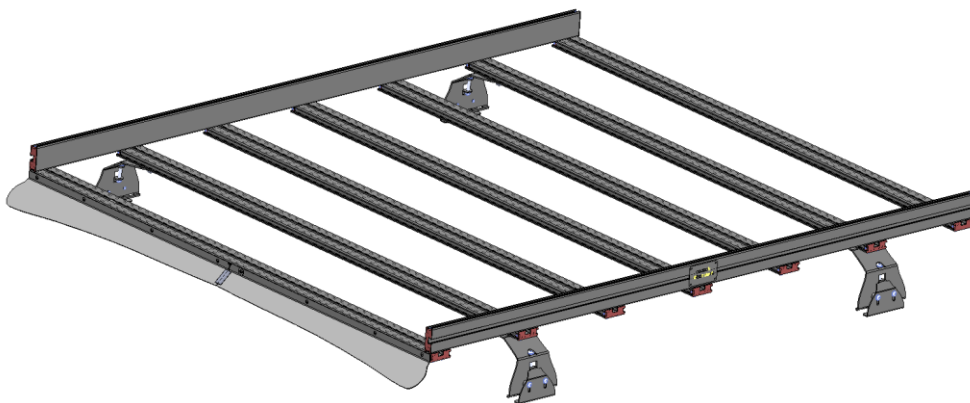


Figure 1 Standard configuration

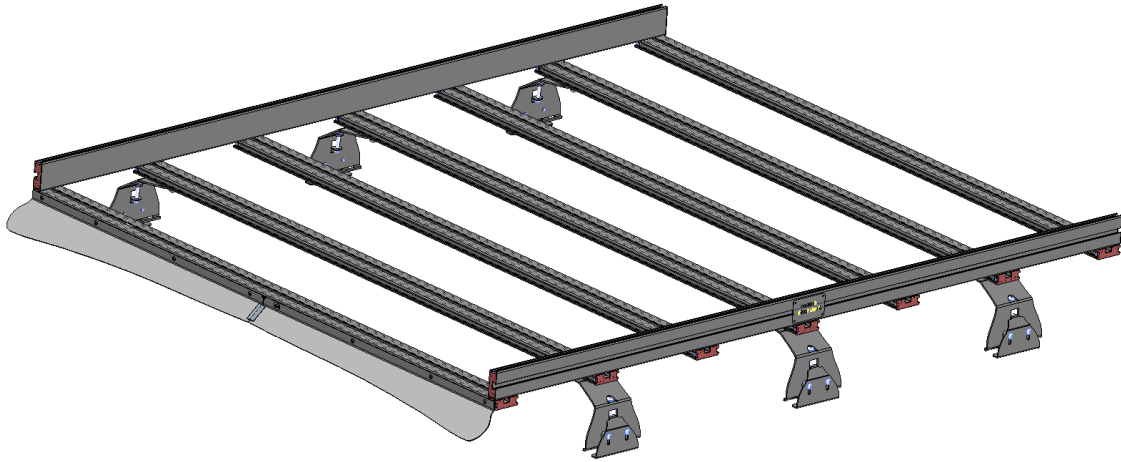


Figure 2 With extra set of Mounting Brackets

## In Comparison

	Little Swift (Gen 3)	Black Swift (Gen 4 2018+)
Usable Area	1.36sq m	1.85sq m
Floor Load Bars (Left to Right)	5	7
Space between Floor Load Bars	216 mm	186 mm
Weight	9.8 kg	12.7 kg (standard configuration)

## Weights

Rounded weight figures  $\pm 5\%$  are listed below in kilogram.

Part	Quantity	Part Weight (kg)	Standard (kg)	Standard + 2 extra Brackets (kg)
Side Bar (1500 mm long)	2	1.3	2.6	2.6
Floor Load Bar (1270 mm long)	7	1.0	7.1	7.1
Deflector Assembly	2	0.5	1.1	1.1
Roof Bracket Assembly	4	0.5	2.0	3.0

=====  
12.7      13.7

## Construction

Stainless steel brackets (3CR12). Purpose designed lightweight aluminium extrusions. Parts are powder coated. All exposed fasteners are stainless steel.

## Mounting

No vehicle modifications or drilling is needed. Clamps to the Roof Gutters of the Jimny Gen 4 2018+ model.

The brackets have proper polyurethane soles where they seat in the gutter of the Jimny.

The polyurethane sole is the same type that is used for so called "Bakkie Liners"

## Load Carrying Ability

The Carrying ability of the Black Swift is limited by the vehicle.

The Black Swift was tested with a total weight of 70 kg (cargo + Roof Rack weight), cargo weight evenly distributed, under moderate conditions.

Heavy loads on Roof Racks affects the handling ability because of the top-heavy nature of the ±configuration and overloading is not recommended.

When loaded, the travel speed needs to be reduced to ensure safety.

The carrying ability is recommended to be restricted to 50kg in total for safety reasons and speed to be adjusted according to road conditions to ensure safety.





Note that the Carrying capacity of the Black Swift fitted to the Suzuki Jimny (2019) should not be compared directly to vehicles much bigger and double or more in weight.


## Shipping and Assembly



The Black Swift is shipped in kit form in a rectangular box 19x19x160 cm. (±16kg Shipping weight).

During on-line ordering, the on-line shop will quote the cost of shipping. Alternative shipping or Pick-up can be selected when ordering. Proper assembly instructions are provided in booklet format.

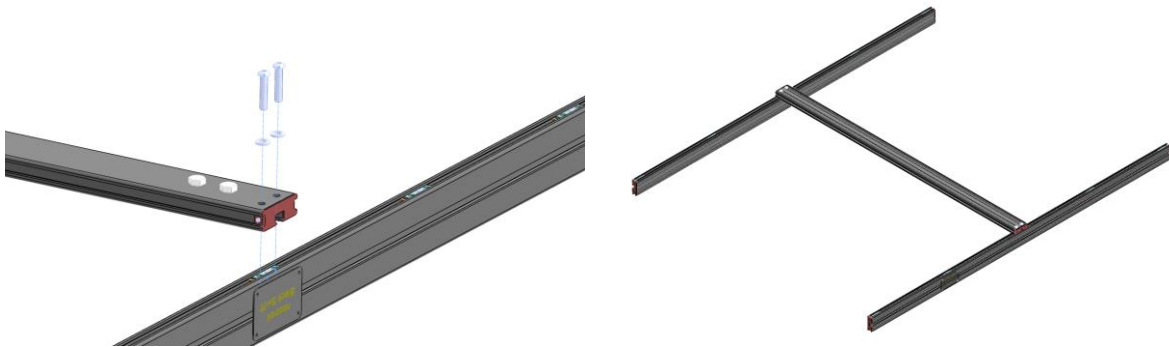
The tools required for the assembly and fitment of the Black Swift are listed below.

Tools Required			
Item nr	Quantity	Name	Visual
2	1	Allen Key 4mm And/Or 4mm Hex Screwdriver Long 140mm	
3	1	Allen Key 5mm	
4	1	Optional : 10mm spanner	
4	1	13mm spanner	

5	1	Metric Tape Measure (3m or longer) <b>OR</b> 2 meter Tie Down Strap or rope (To use for equal length measurement)	
---	---	---	--

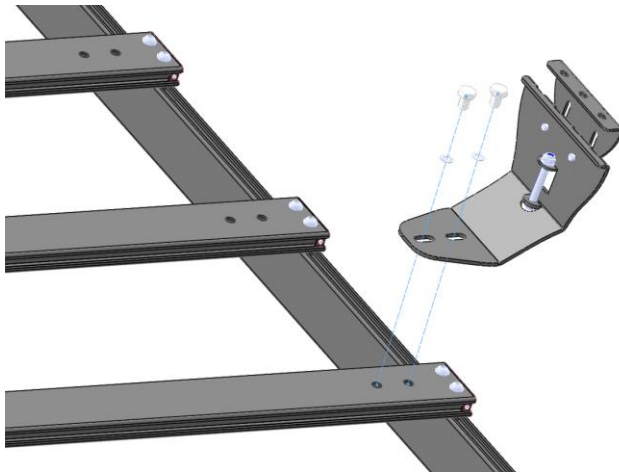
And identify the M6x30 Button Head screws  and Washers. 

Place the Load bar (groove facing down) and join in the middle of the Side Bar as shown below:



.  
.  
.

Fit 4 (or optionally 6) Roof Bracket Assemblies as follows:



.  
.  
.

Assemble the Screw, Washer and Nut as shown below.

